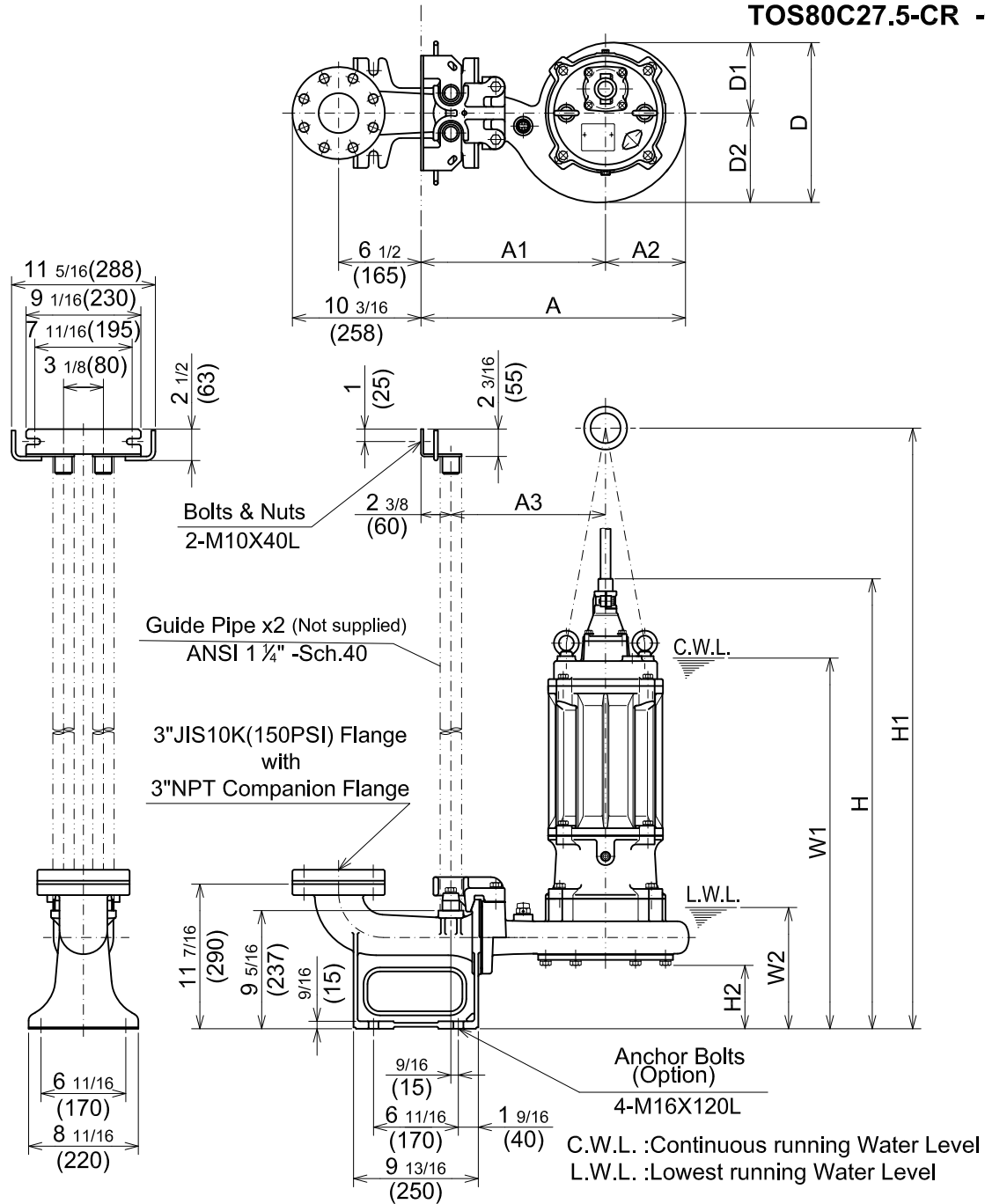




**C-SERIES
CUTTER - TYPE - SEWAGE & WASTEWATER PUMPS**

DIMENSIONS

**TOS80C25.5-CR -61
TOS80C27.5-CR -61**



DIMENSIONS:USCS(Inch)

| Model | HP | NOM. SIZE | Pump & Motor | | | | | | | | | | C.W.L. | L.W.L. | Wt. (lbs.) |
|-------------------|-----|-----------|--------------|---------|--------|---------|--------|--------|--------|--------|--------|----|--------|--------|------------|
| | | | A | A1 | A2 | A3 | D | D1 | D2 | H | H1 | H2 | | | |
| TOS80C25.5-CR -61 | 7.5 | 3" | 20 7/8 | 14 9/16 | 6 5/16 | 12 3/16 | 12 5/8 | 5 9/16 | 7 1/16 | 35 1/2 | 47 3/8 | 5 | 29 3/8 | 9 5/8 | 258 |
| TOS80C27.5-CR -61 | 10 | 3" | 20 7/8 | 14 9/16 | 6 5/16 | 12 3/16 | 12 5/8 | 5 9/16 | 7 1/16 | 35 1/2 | 47 3/8 | 5 | 29 3/8 | 9 5/8 | 269 |

DIMENSIONS:METRIC(mm)

| Model | kW | NOM. SIZE | Pump & Motor | | | | | | | | | | C.W.L. | L.W.L. | Wt. (kg) |
|-------------------|-----|-----------|--------------|-----|-----|-----|-----|-----|-----|-----|------|-----|--------|--------|----------|
| | | | A | A1 | A2 | A3 | D | D1 | D2 | H | H1 | H2 | | | |
| TOS80C25.5-CR -61 | 5.5 | 80 | 530 | 370 | 160 | 310 | 320 | 141 | 179 | 902 | 1204 | 127 | 745 | 245 | 117 |
| TOS80C27.5-CR -61 | 7.5 | 80 | 530 | 370 | 160 | 310 | 320 | 141 | 179 | 902 | 1204 | 127 | 745 | 245 | 122 |